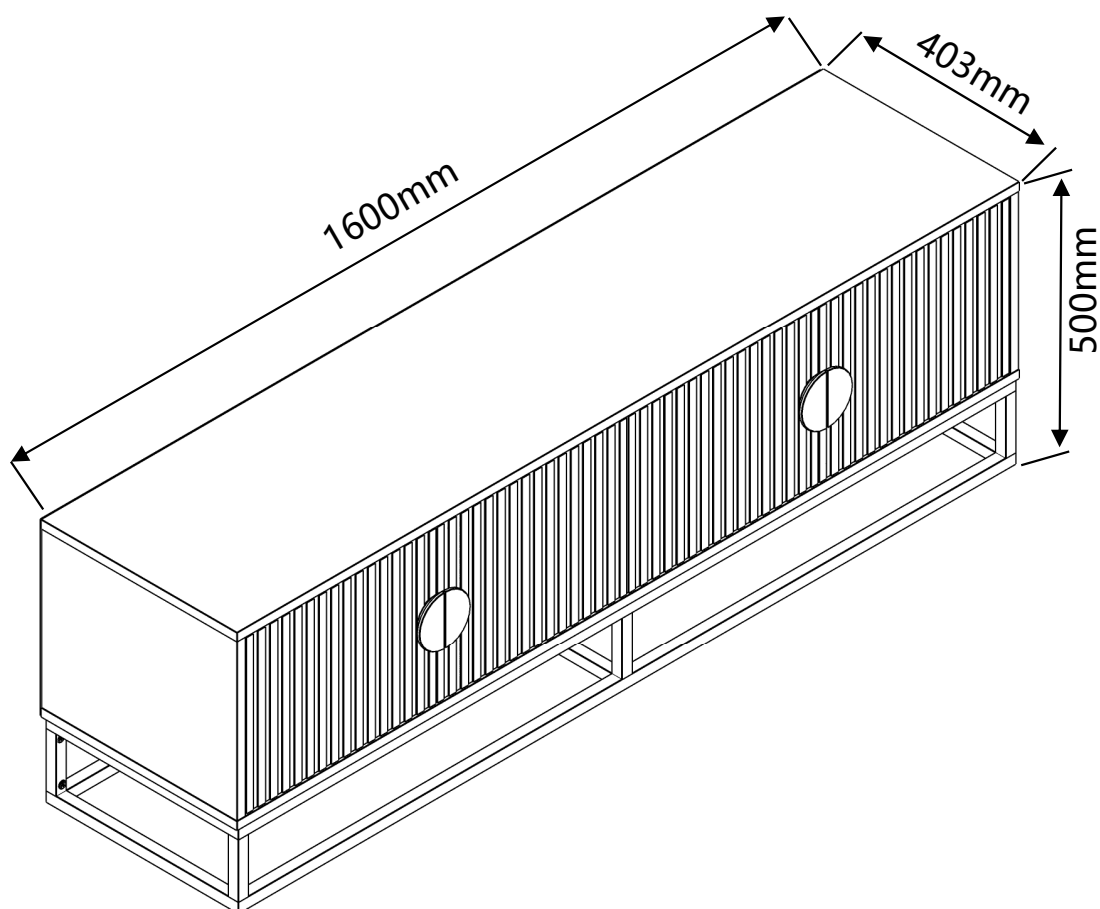


# ASSEMBLY INSTRUCTION

## Umbria Entertainment Unit BLK

ITEM CODE 87396



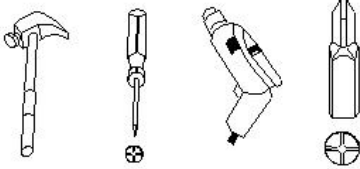


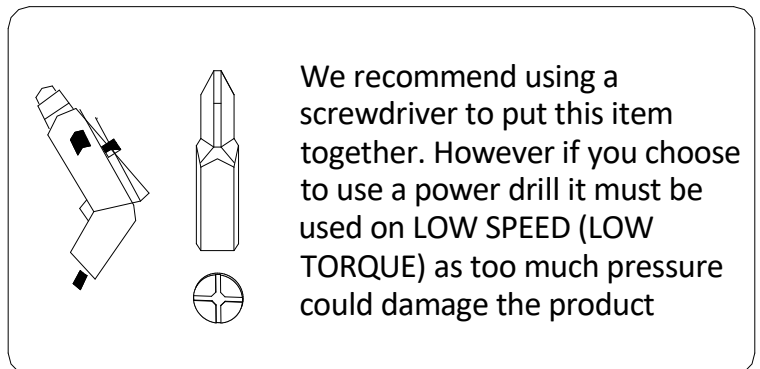
Imported by JWA Furniture Pty Ltd, Qld, Brisbane Australia.  
For any assistance with assembly or for missing parts please refer to your receipt

## PRE-ASSEMBLY PREPARATION


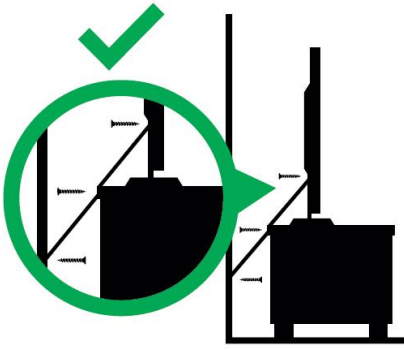
### Before you start:

1. Choose a clean, level, spacious assembly area. Avoid hard surfaces that may damage the product
2. Take care when lifting. Product should be assembled as near as possible to the point of use
3. Ensure that you have all required contents for complete assembly
4. Always read the assembly instructions carefully before beginning assembly.
5. Keep all hardware parts and packaging out of reach of small children.
6. Do not over tighten the screws and bolts as this may damage the threads

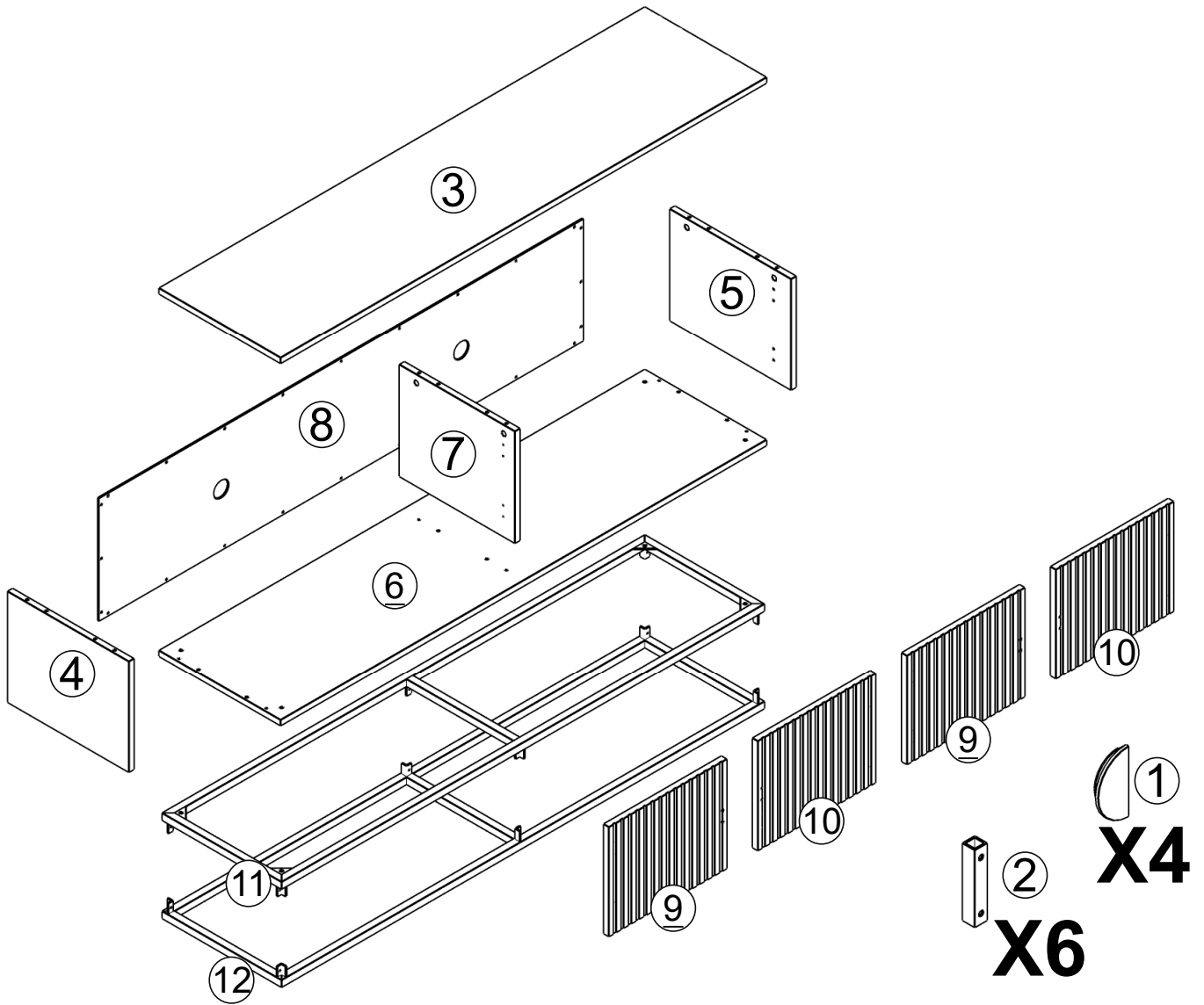
	
ALLOW 60 MINUTES	2 PEOPLE REQUIRED
	
TOOLS REQUIRED	





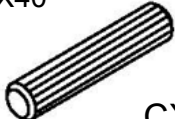
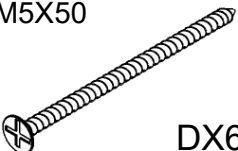


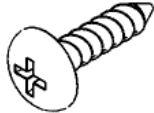
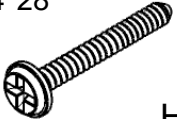
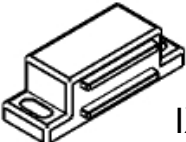
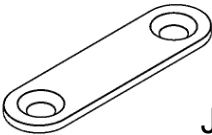
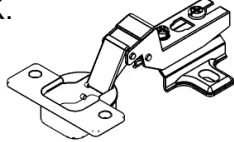
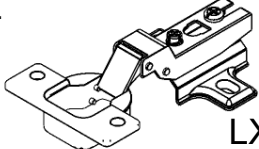
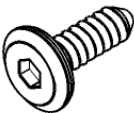
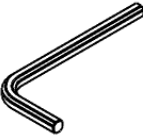
# WARNING

		<p><b>Children have died from furniture tipover.</b></p> <ul style="list-style-type: none"><li>• NEVER allow children to stand, climb or hang on drawers, doors, or shelves.</li><li>• ALWAYS secure your television with an anchor device or mount the television on a wall.</li></ul> <p><b>This is a permanent label. Do not remove!</b></p>
---	---	---

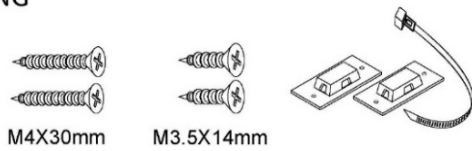
# PARTS LIST



1	Door Handle	7	Middle Board
2	Support Bar	8	Back Board
3	Top Board	9	Left Door
4	Side Board	10	Right Door
5	Side Board	11	Frame
6	Bottom Board	12	Frame

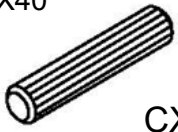
<p>A. Ø15X12mm</p>  <p>AX6</p>	<p>B. M6X39mm</p>  <p>BX6</p>	<p>C. Ø8X40</p>  <p>CX12</p>	<p>D. M5X50</p>  <p>DX6</p>
<p>E. M3.5*16mm</p>  <p>EX8</p>	<p>F. M3.5X15</p>  <p>FX40</p>	<p>G. M4*14</p>  <p>GX24</p>	<p>H. M4*28</p>  <p>HX8</p>
<p>I.</p>  <p>IX4</p>	<p>J.</p>  <p>JX4</p>	<p>K.</p>  <p>KX4</p>	<p>L.</p>  <p>LX4</p>
<p>M. M6X15mm</p>  <p>MX16</p>	<p>O.</p>  <p>OX1</p>		

N. WALL FIXING

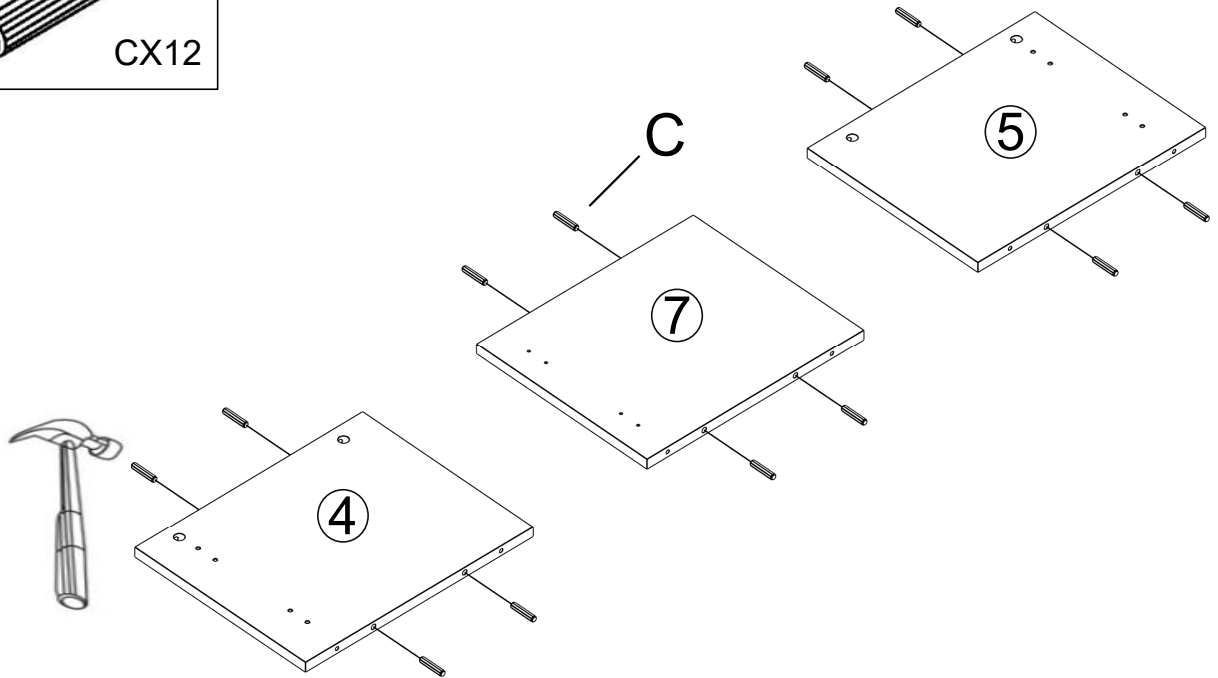


# STEP:1

C. Ø8X40

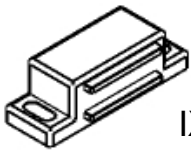


CX12



# STEP:2

I.

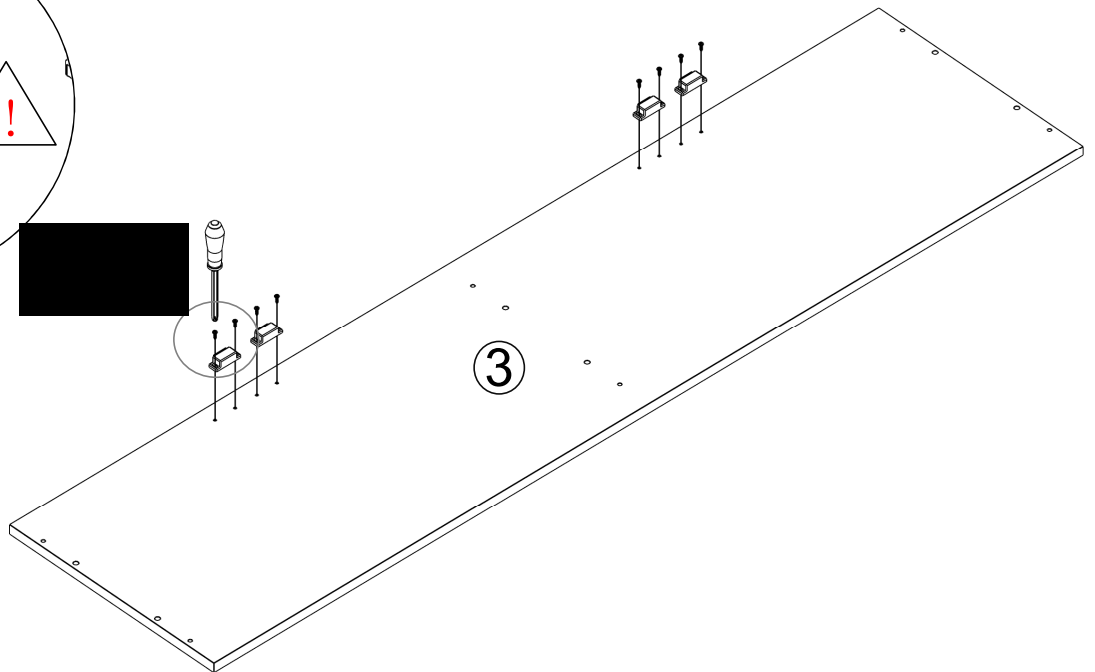
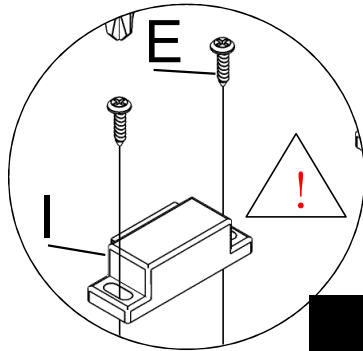


IX4

E. M3.5\*16mm

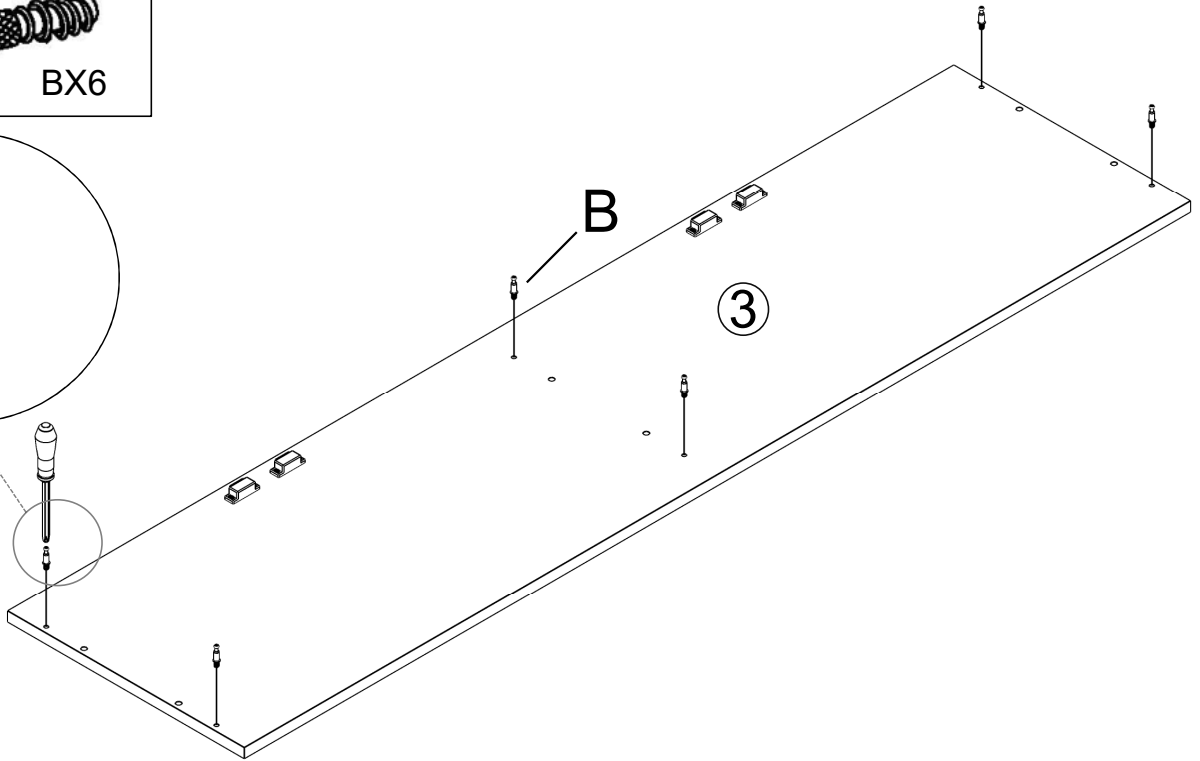
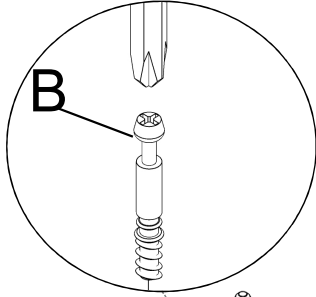
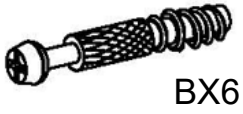


EX8



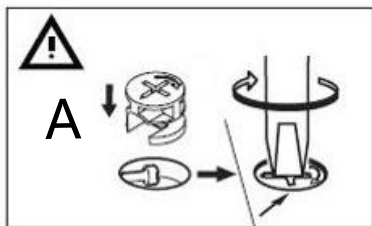
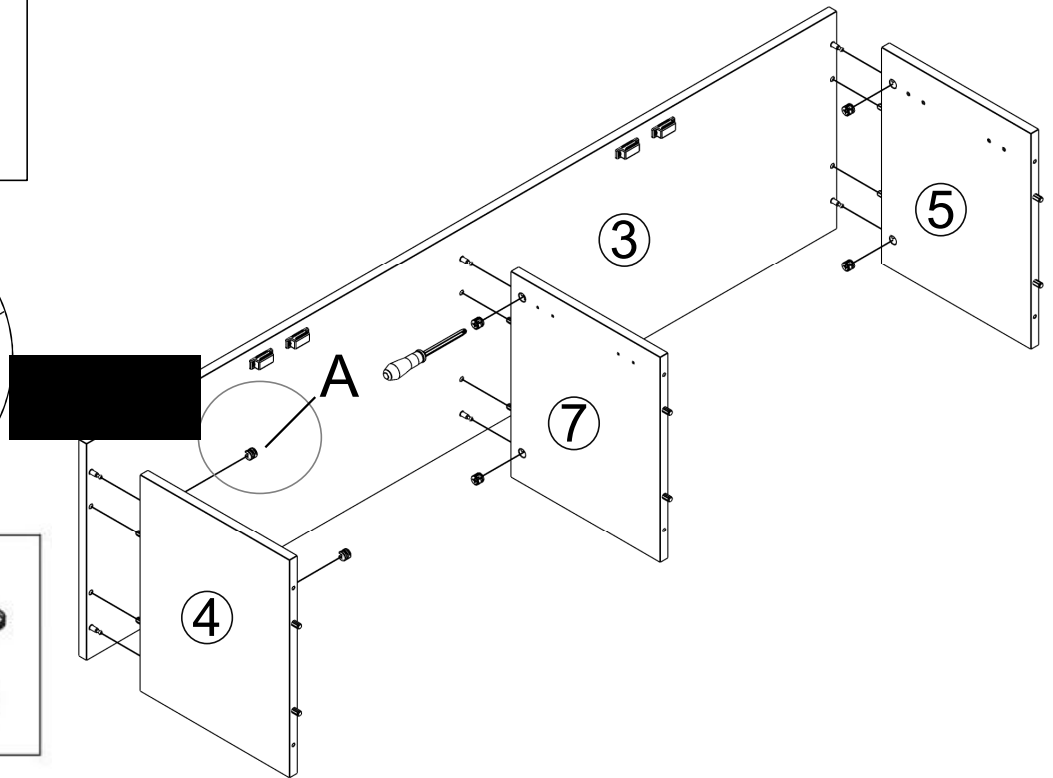
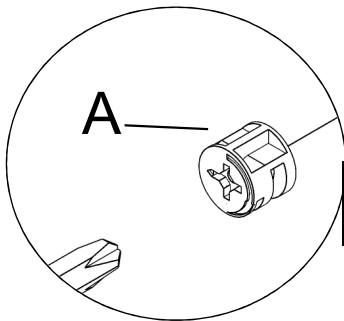
### STEP:3

B. M6X39mm



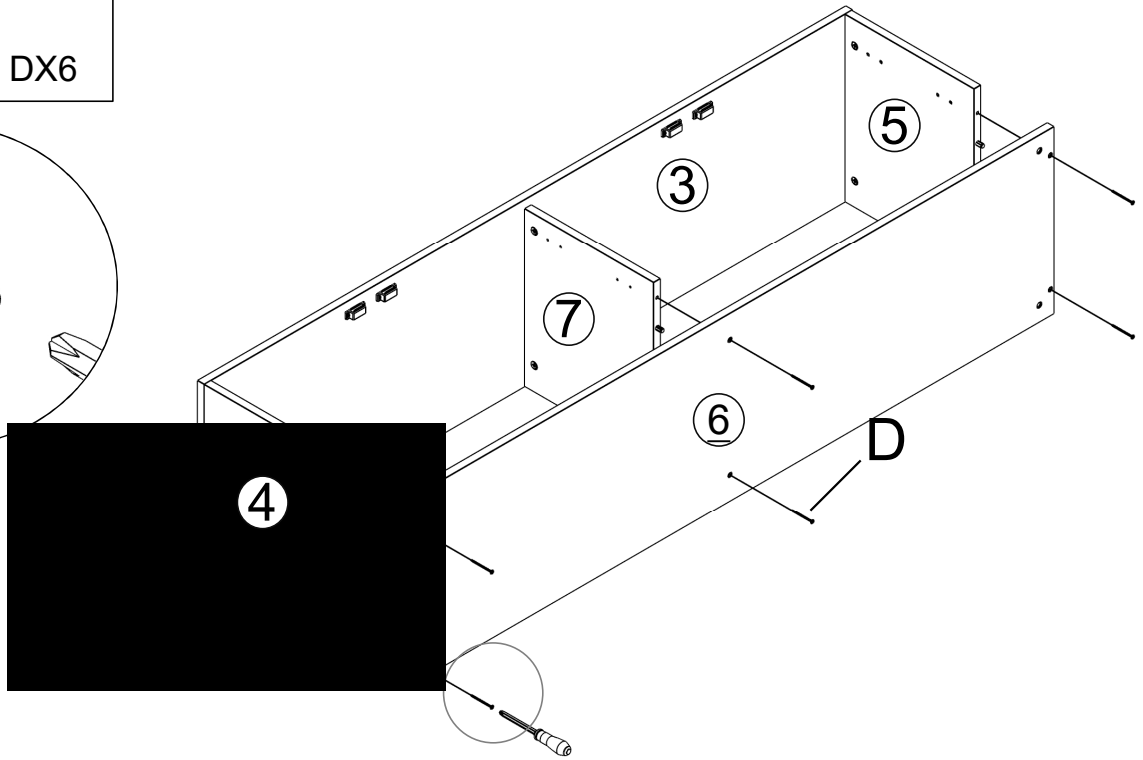
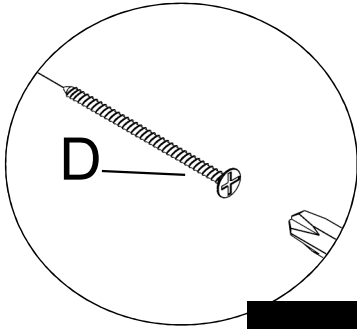
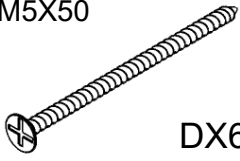
### STEP:4

A. Ø15X12mm



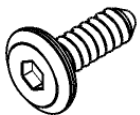
## STEP:5

D. M5X50

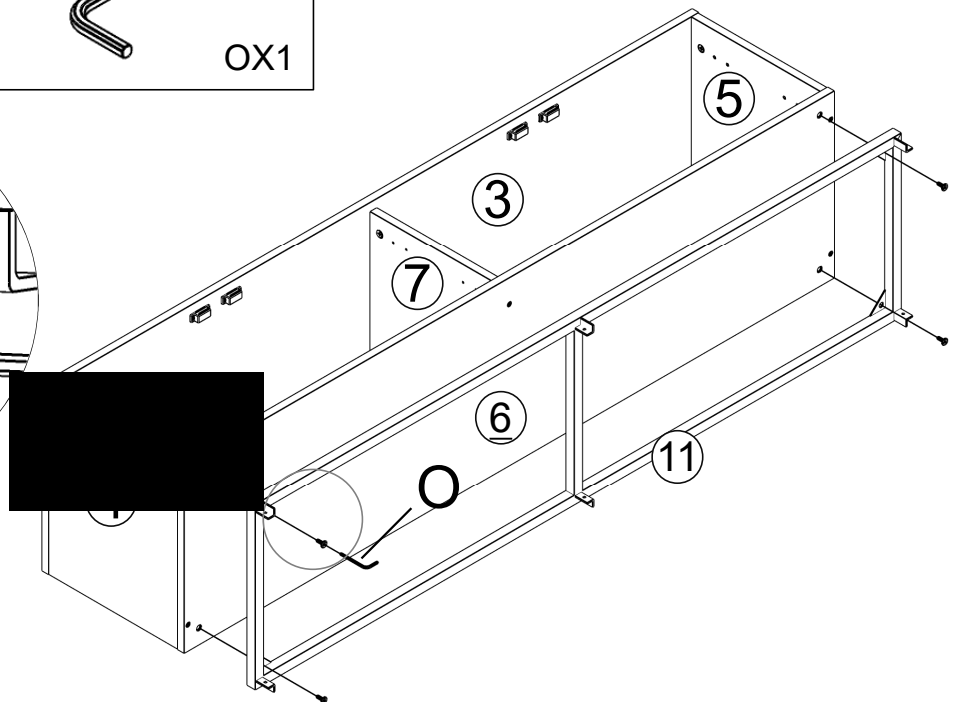
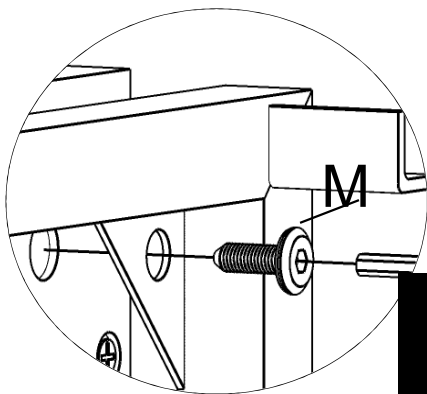
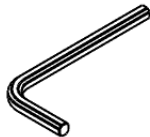


## STEP:6

M. M6X15mm

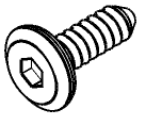


O.



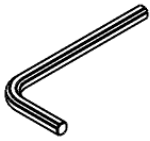
### STEP:7

M. M6X15mm

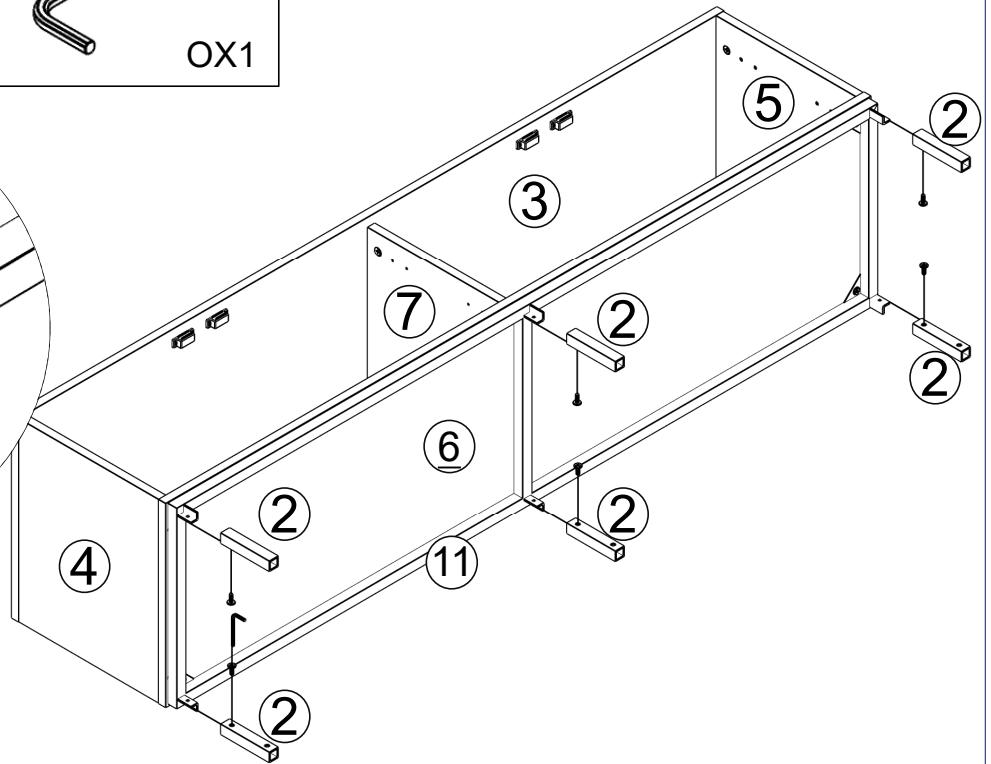
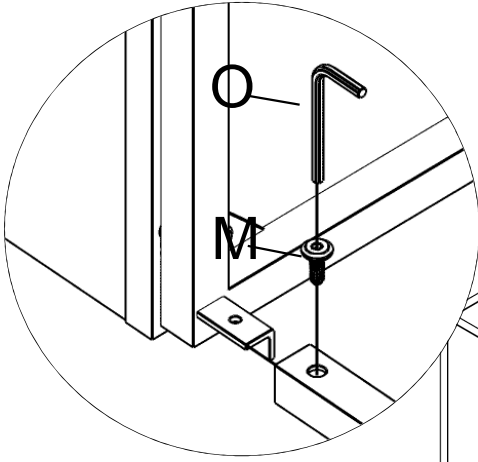


MX6

O.

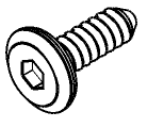


OX1



### STEP:8

M. M6X15mm

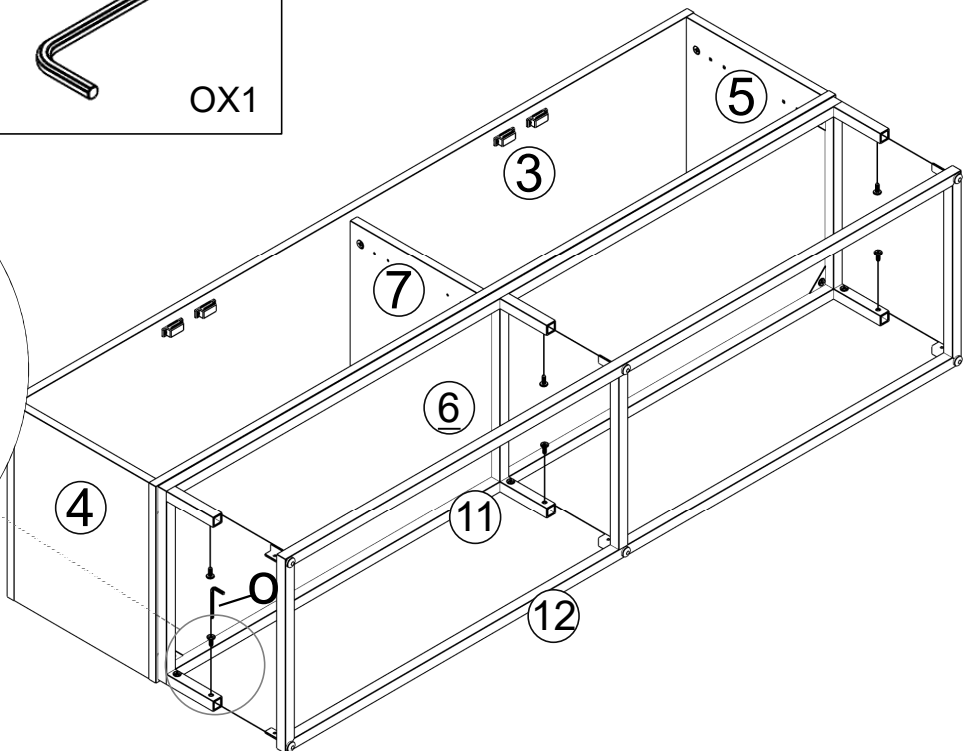
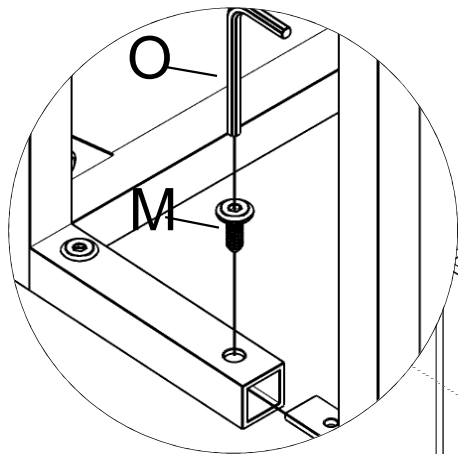


MX6

O.

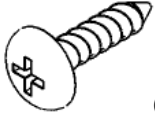


OX1

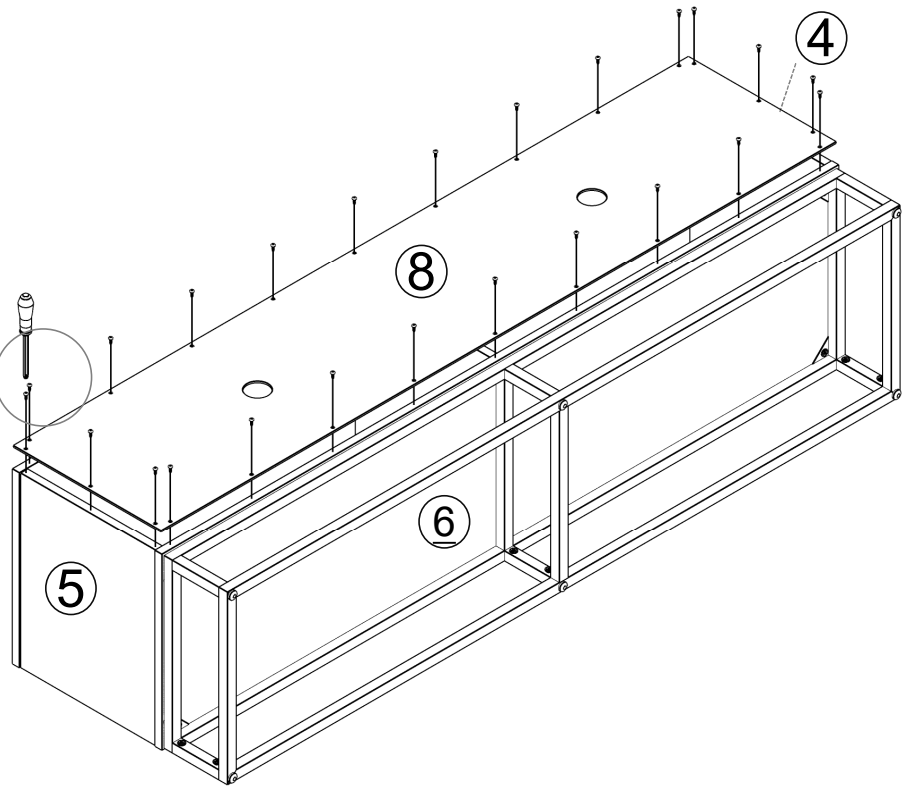
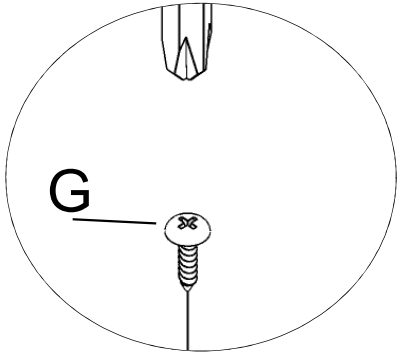


## STEP:9

G. M4\*14

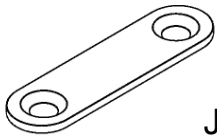


GX24



## STEP:10

J.

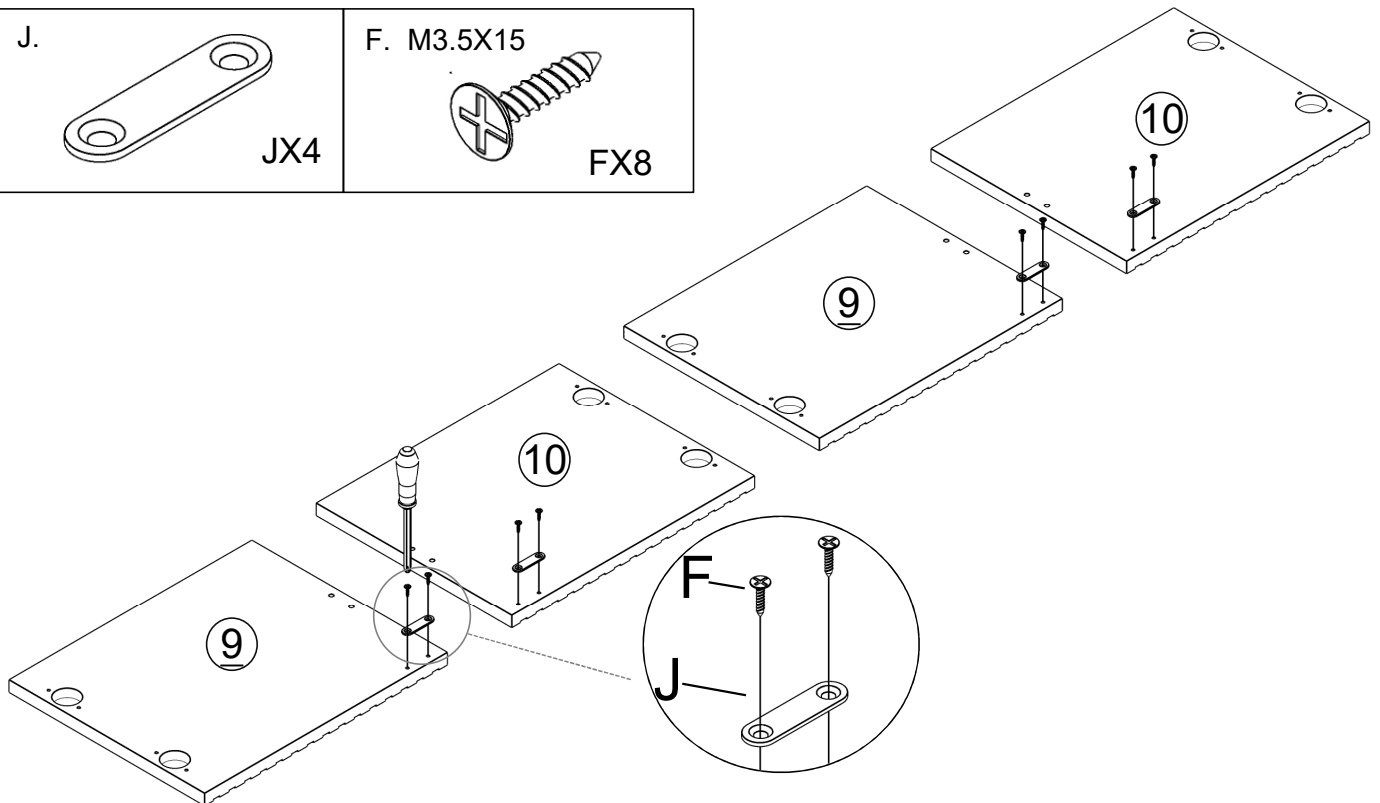


JX4

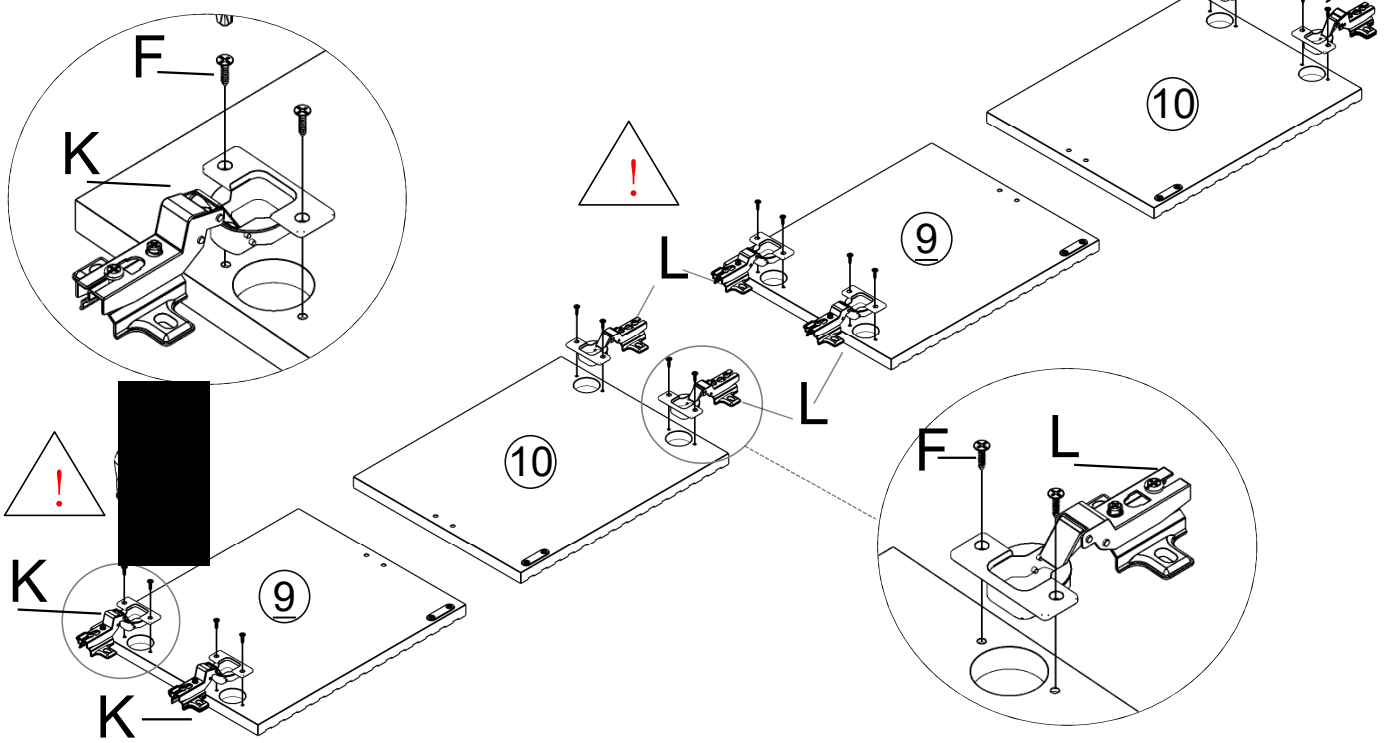
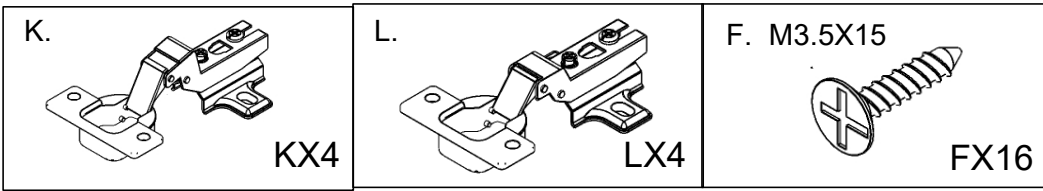
F. M3.5X15



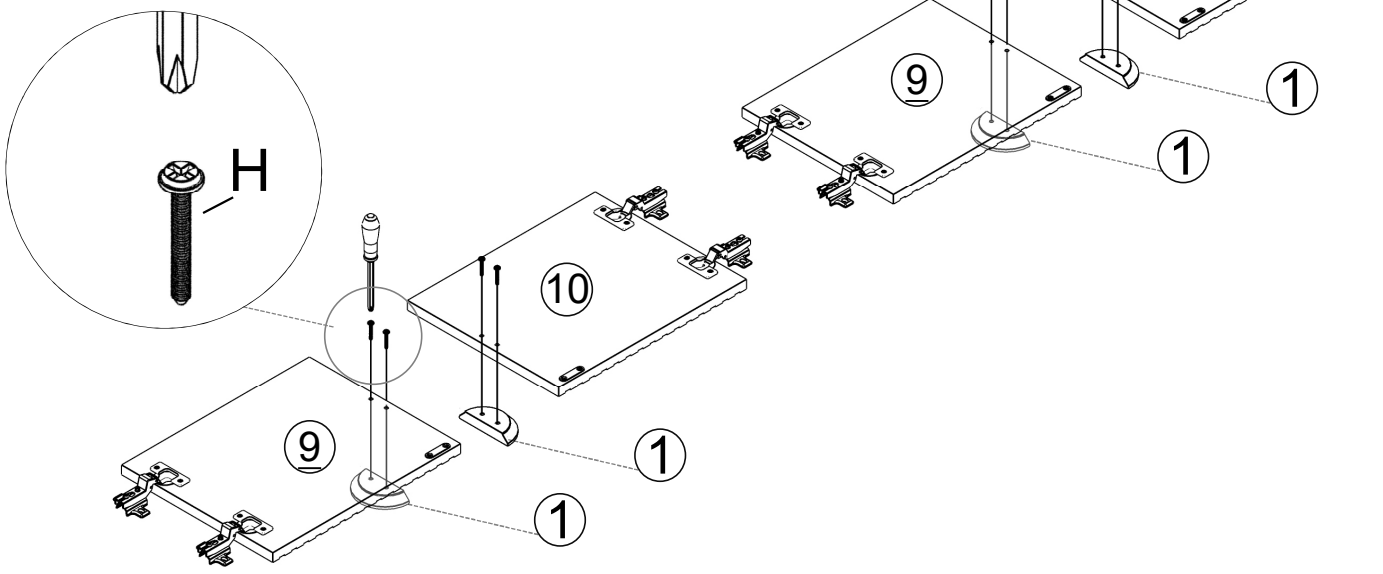
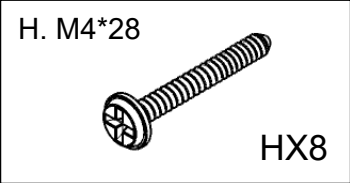
FX8



# STEP:11



# STEP:12

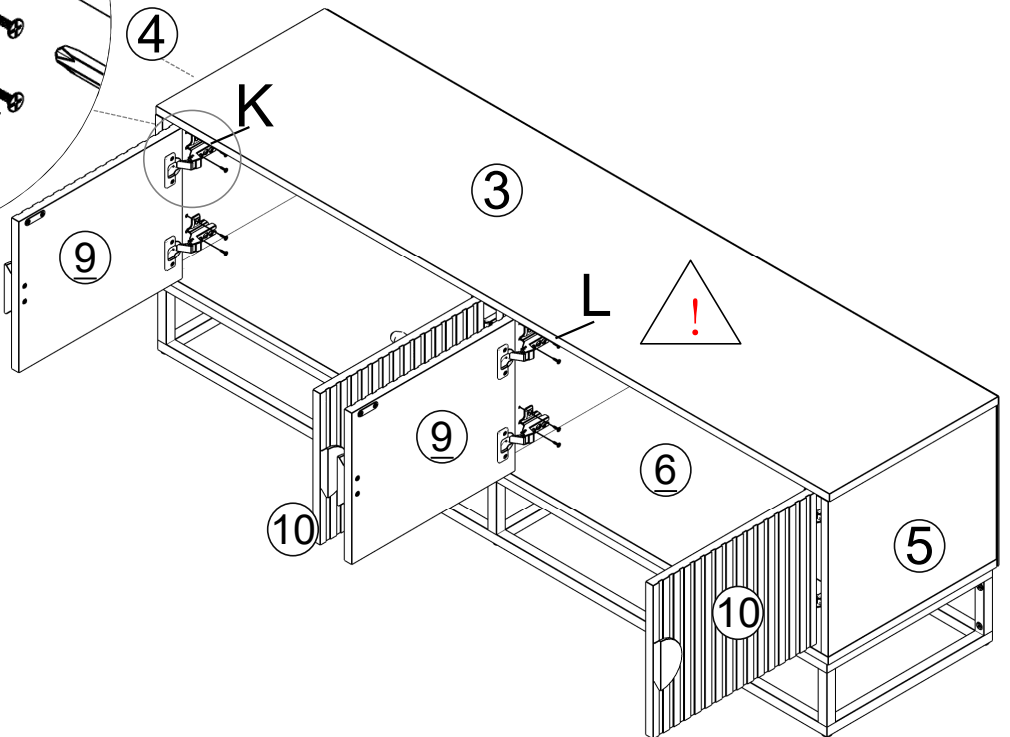
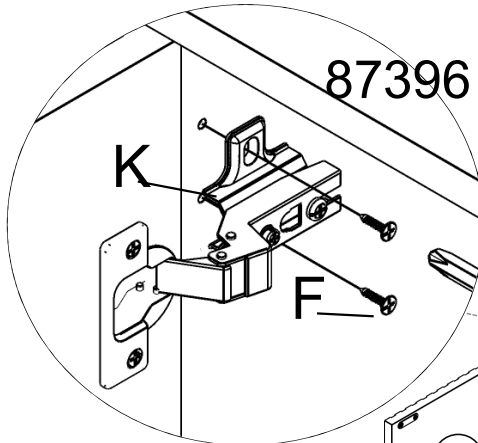
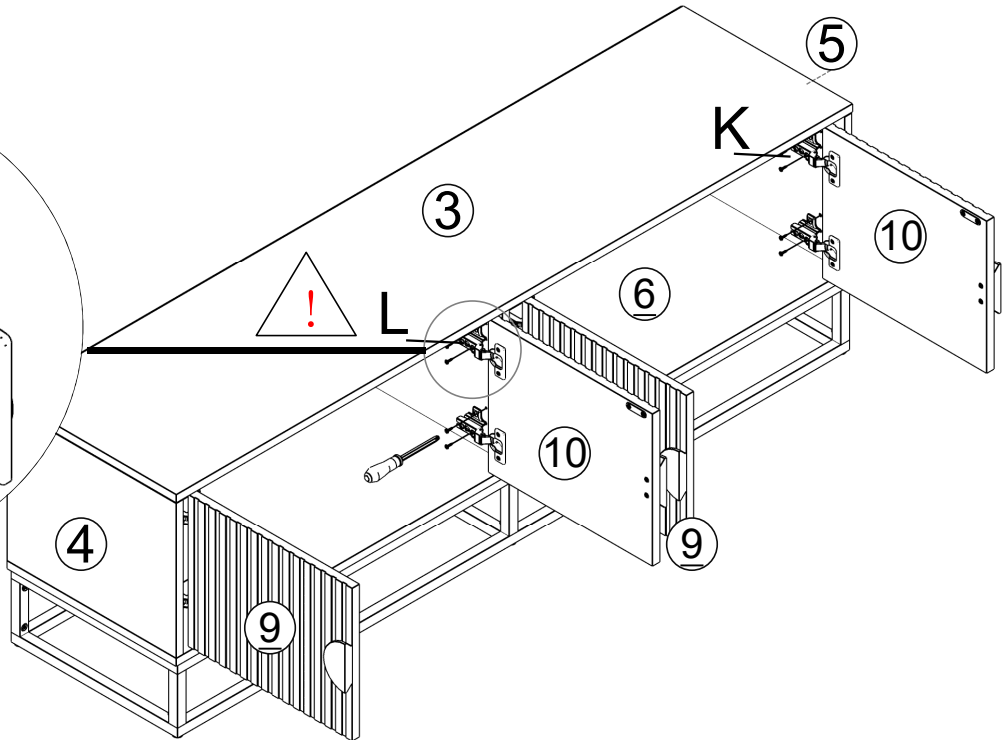
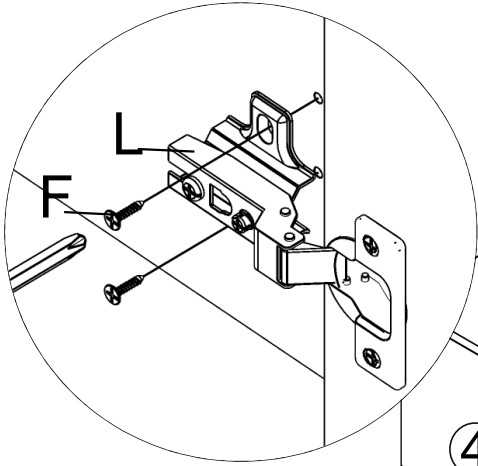


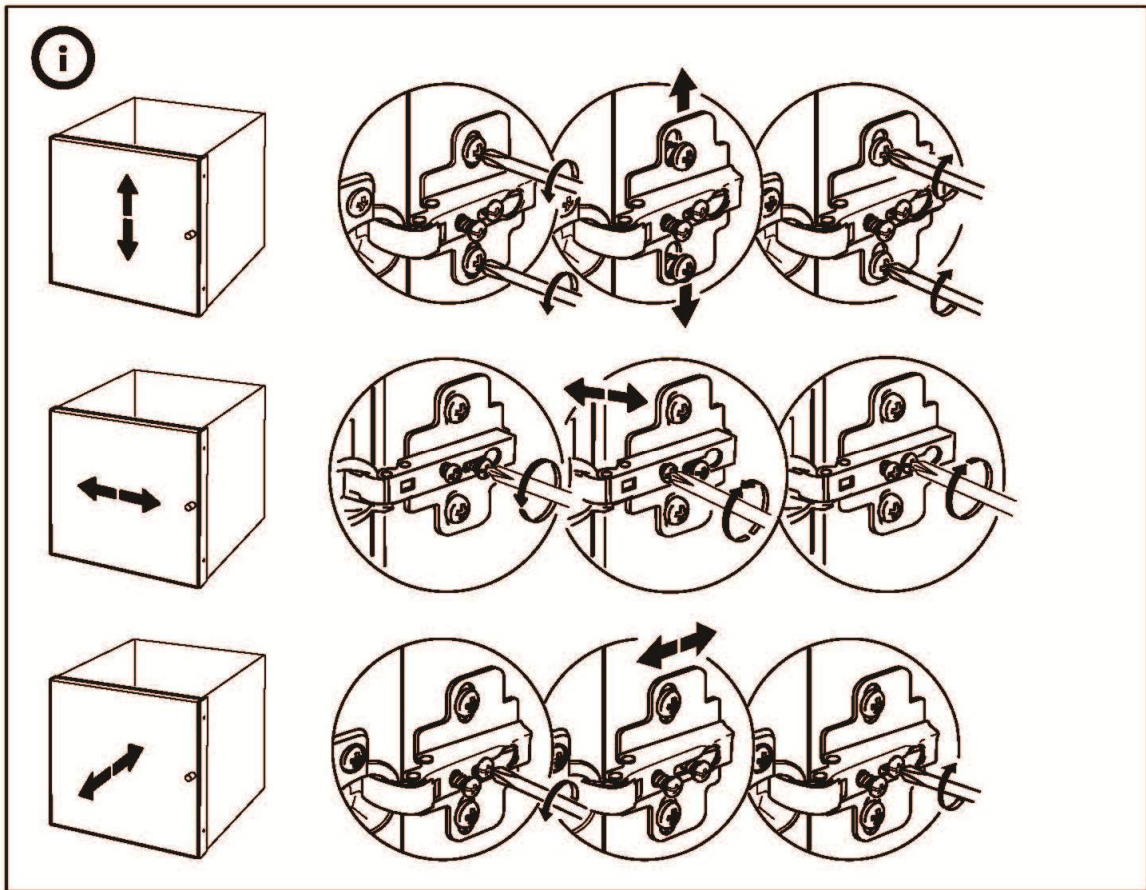
# STEP:13

F. M3.5X15

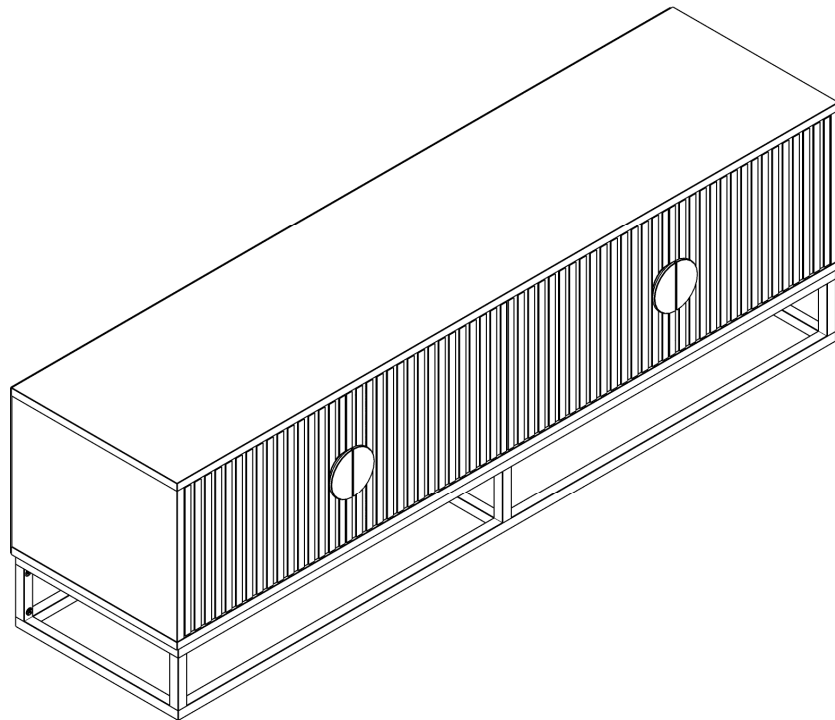


FX16





ASSEMBLY COMPLETE



# SAFETY BRACKETS INSTRUCTIONS

1. Attach one Mounting Plate to the wall with the Large Screws. Make sure to attach the Mounting Plate into a stud. If mounting into brick or masonry you will need to acquire wall anchors.
2. Attach the second Mounting Plate to the furniture frame with the Short Screws.
3. Move the furniture to its final position. Thread a Wall Strap through the both Mounting Plates and tighten until snug. Do not over tighten.
4. Make sure that the Mounting Plates are firmly attached to the wall and furniture and that the Wall Strap is snug.

## HARDWARE



Mounting Plate x 2



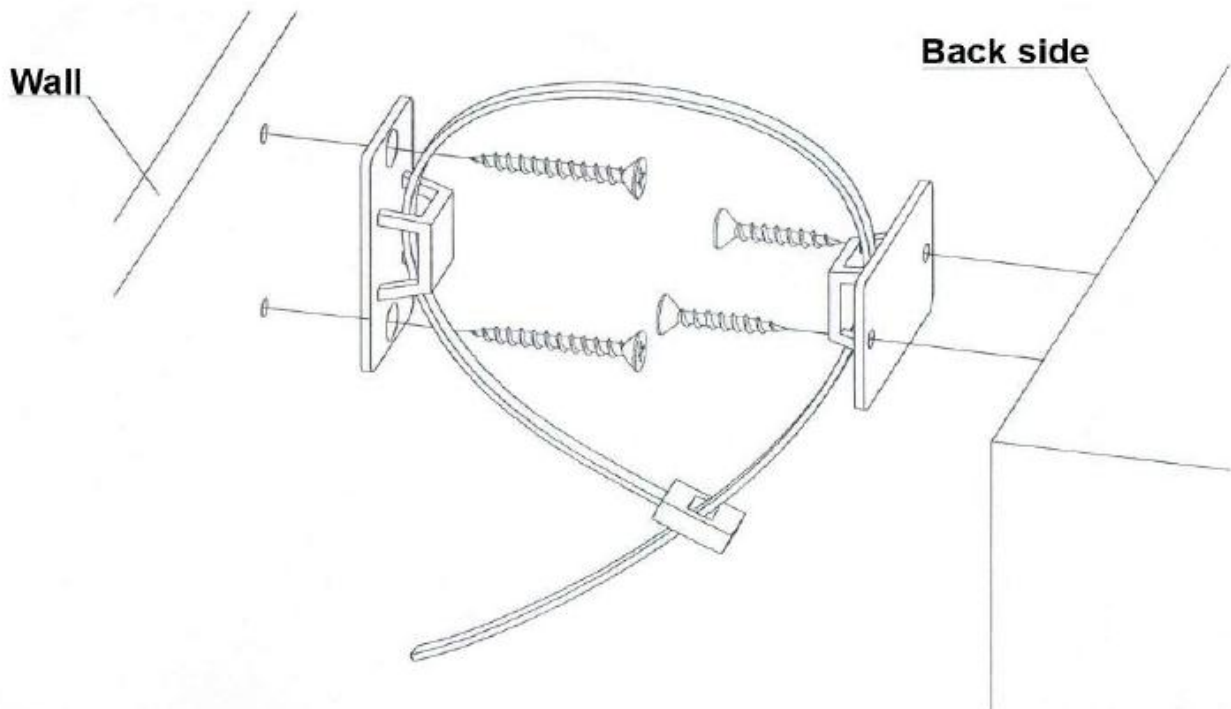
Wall Strap x 1



Large Screw x2



Small Screw x2



To protect your furniture, we suggest the following:

- Avoid placing your furniture in direct sunlight.
- Do not place furniture directly under windows.
- Do not place sharp materials (knife, fork, etc.) directly onto your furniture as sharp material may scrape and damage the finish.
- Do not place material with high temperature directly onto the surface of your furniture.
- Clean up spills quickly. Water left over a prolonged period of time may cause damage. Alcohol, perfume, nail polishes, aftershave and some medication may cause severe finish damage if not cleaned immediately.
- Use a clean, soft, dry, lint free absorbent cloth to clean your furniture. Do not use any detergent as they may contain ingredients that may react and damage the finish.

